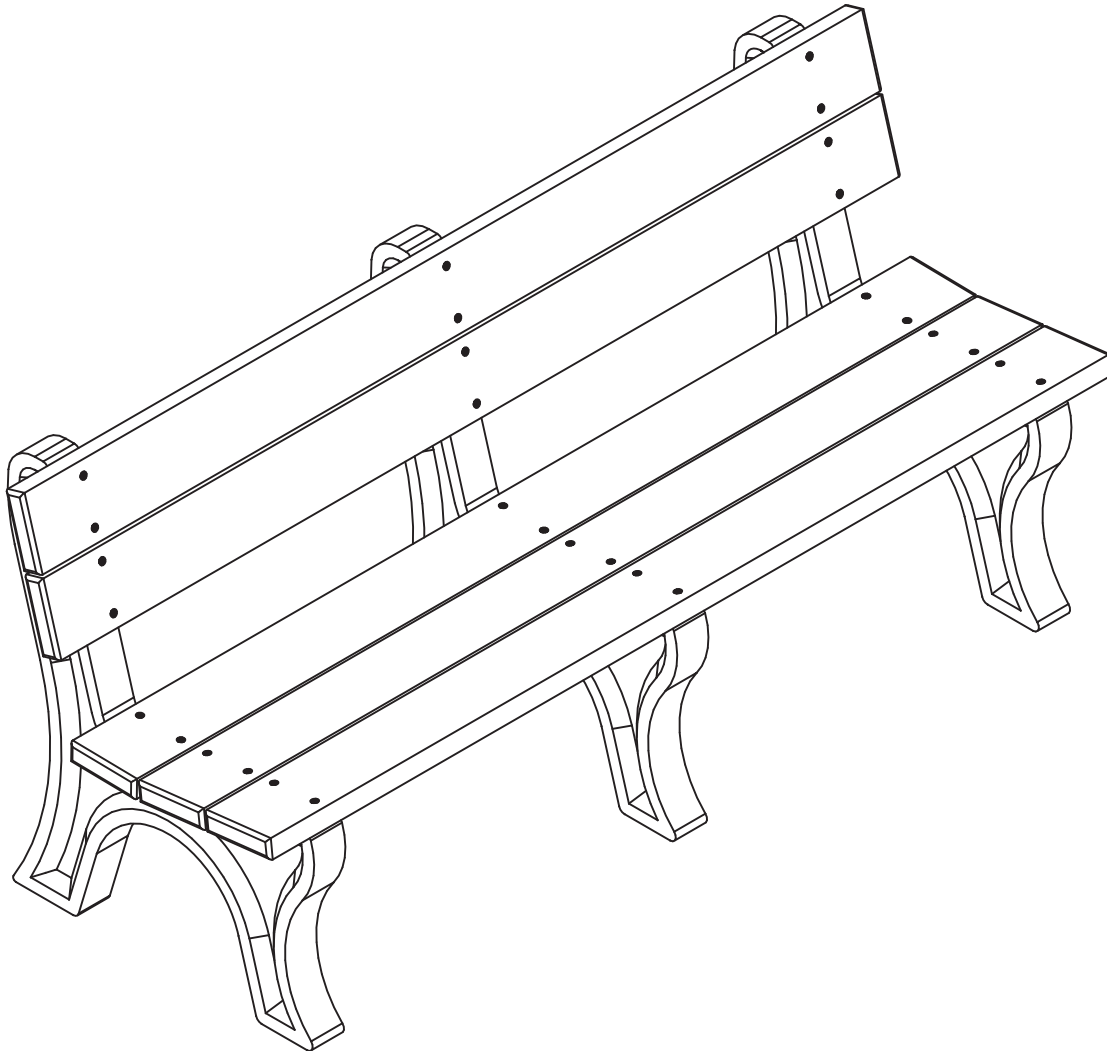


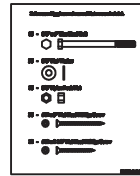
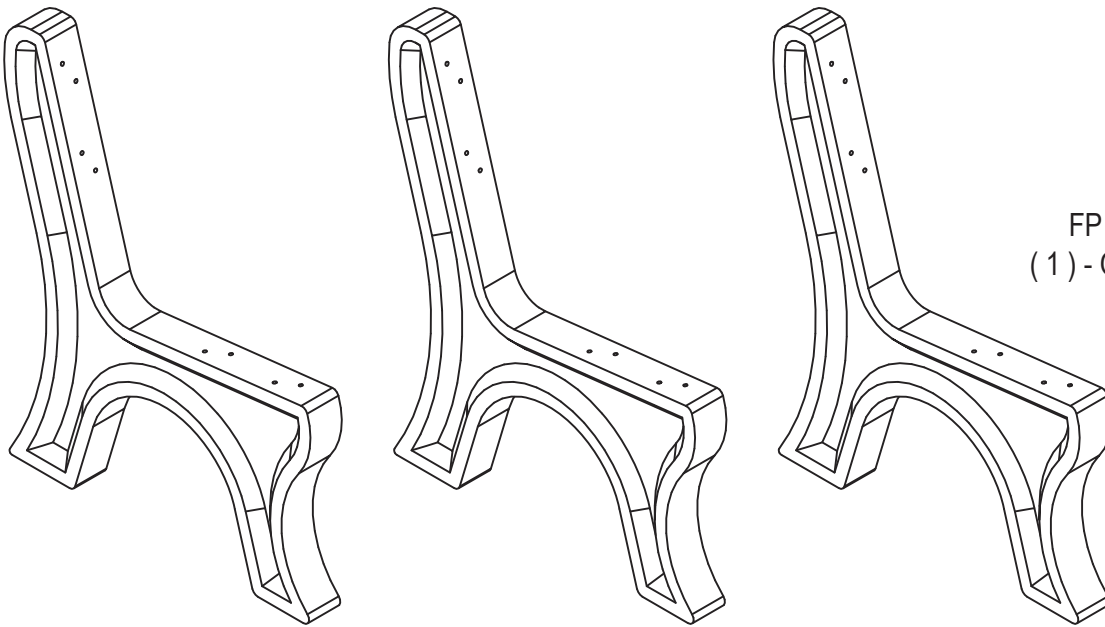
Model # PL6-P

Instructions Sheet

TRADITIONAL RECYCLED PLASTIC PLANK BENCHES

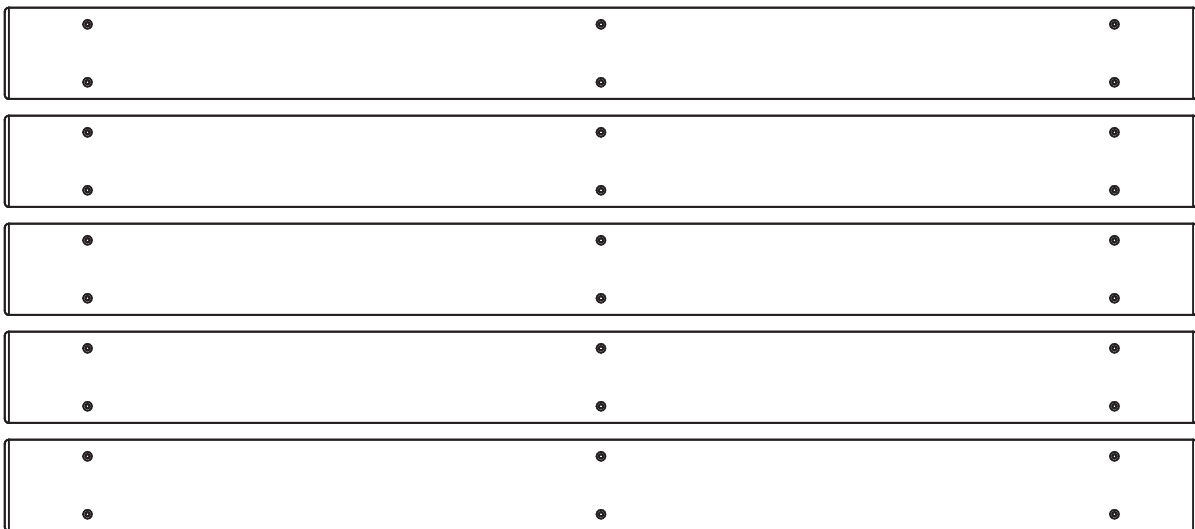


BEFORE ASSEMBLY, PLEASE MAKE SURE ALL COMPONENTS ARE INCLUDED.



FP - FASTENER PACK
(1) - ONE FASTENER PACK

(3) - THREE BENCH ENDS



A - BENCH BOARD
(5) - FIVE BENCH BOARDS

BEFORE ASSEMBLY, PLEASE MAKE SURE ALL FASTENERS ARE INCLUDED.

30 - #12 X 3" FLAT HEAD PHILLIPS SCREWS

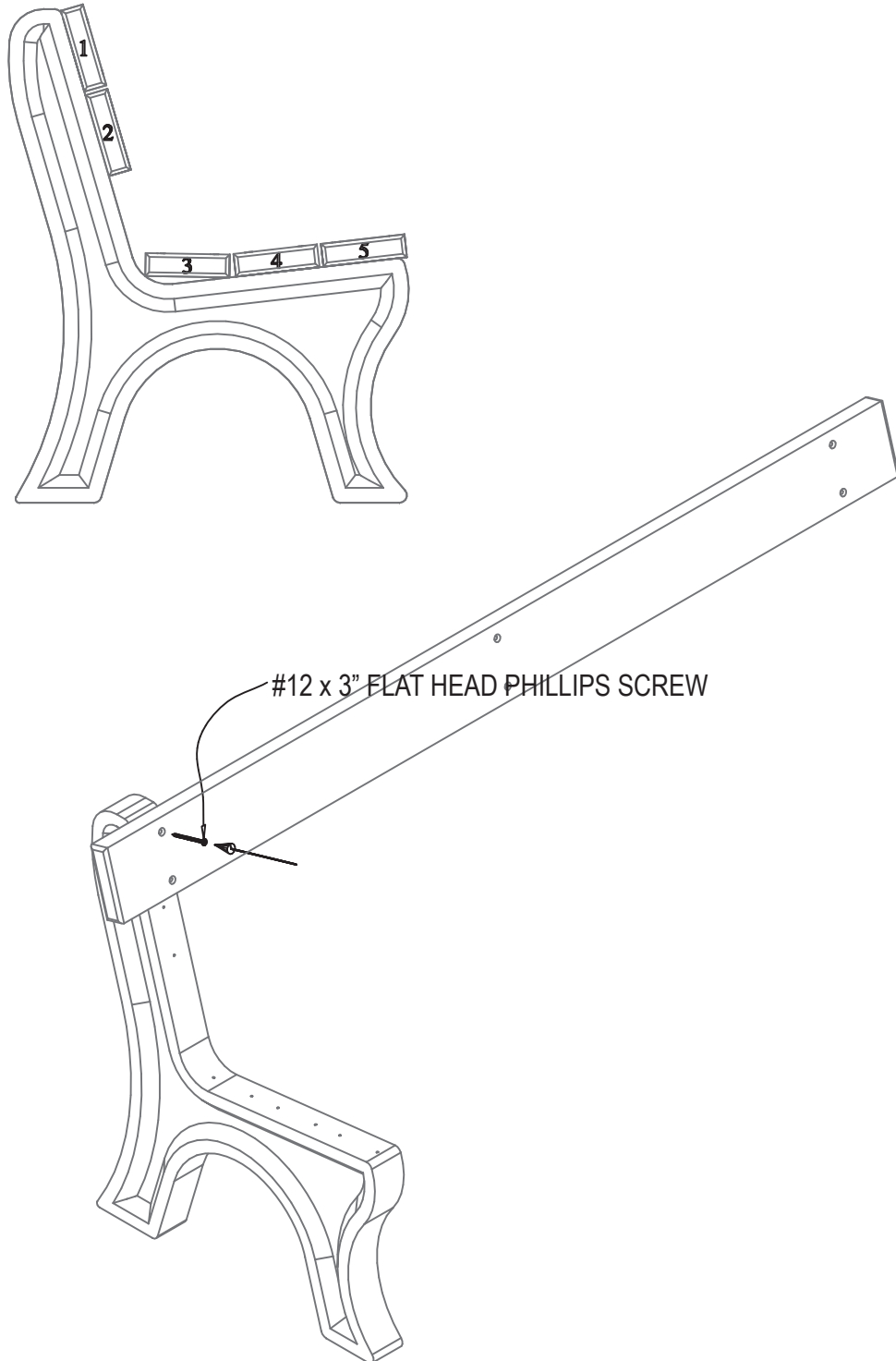


ALSO NEEDED FOR THIS ASSEMBLY WILL BE THE FOLLOWING MATERIALS:

1 - 3" PHILLIPS DRIVE BIT

FIG #1:

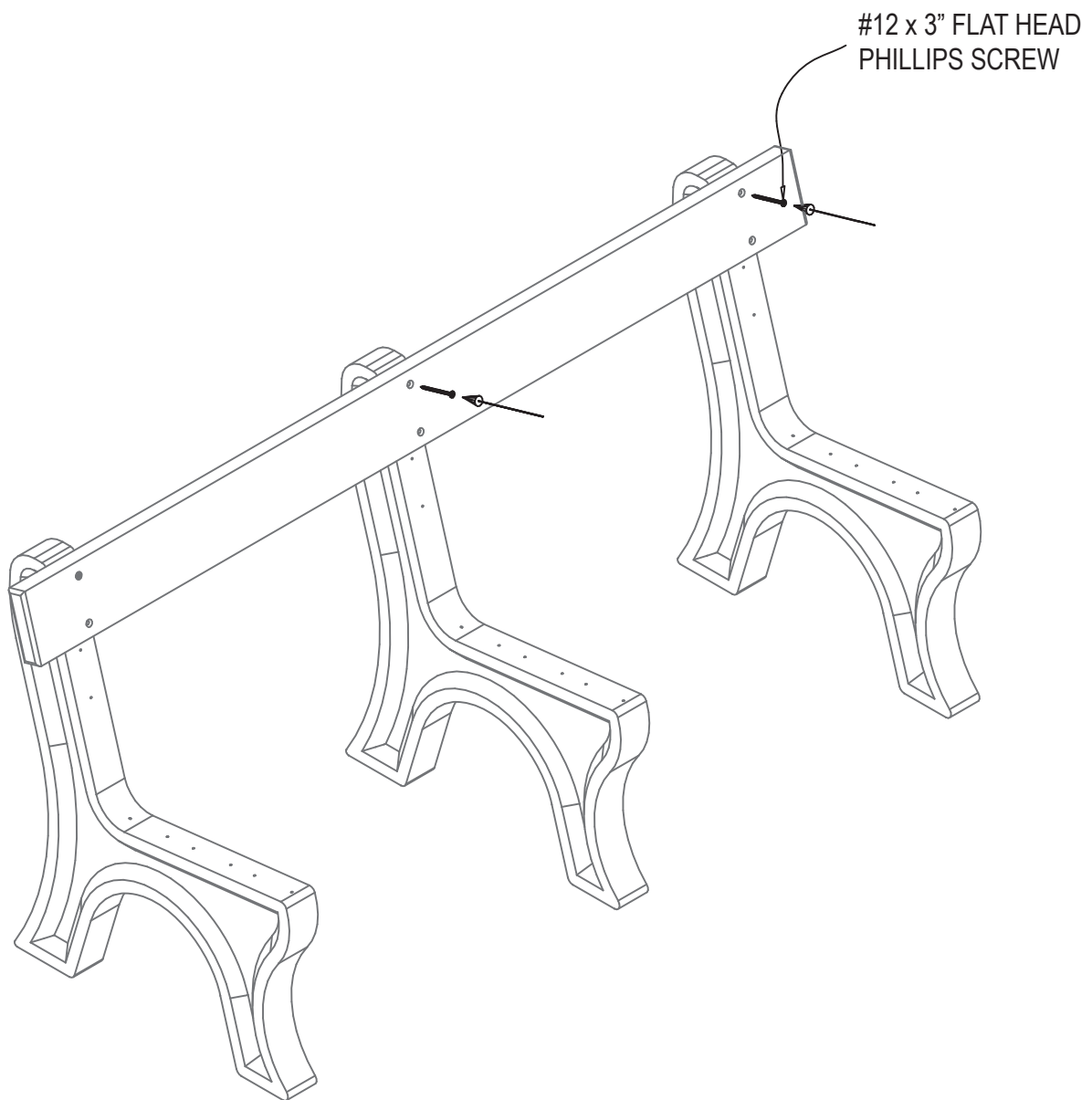
IN ORDER TO MAKE THE ASSEMBLY OF THIS TRADITIONAL BENCH EASIER, WHILE GOING THROUGH THE ASSEMBLY PROCESS, THE BOARD POSITIONS ARE NUMBERED AND WILL BE REFERENCED IN LATER STEPS.



STEP #1:

STAND (1) ONE BENCH END UPRIGHT AND PLACE (1) ONE BENCH BOARD ON POSITION 1, BEING SURE TO ALIGN THE PRE-DRILLED HOLES TO THE PILOT HOLES IN THE BENCH END. AFTER THE HOLES ARE PROPERLY ALIGNED, FASTEN WITH (1) ONE #12 X 3" FLAT HEAD PHILLIPS SCREW IN THE TOP PRE-DRILLED HOLE.

NOTE: DO NOT TIGHTEN SCREW COMPLETELY. THIS WILL BE DONE IN A LATER STEP.

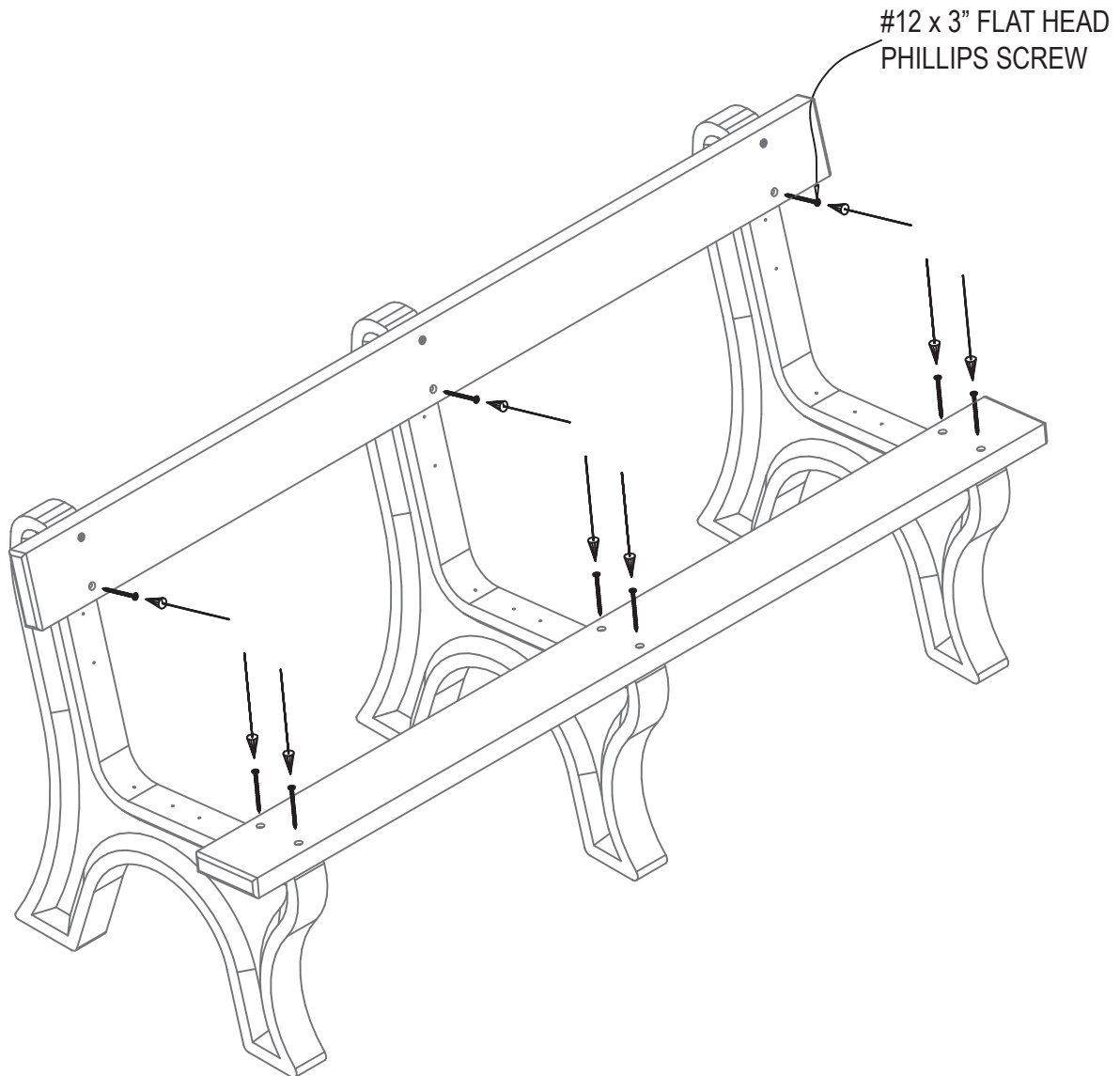


STEP #2:

STAND THE OTHER (2) TWO BENCH ENDS UPRIGHT, ONE AT A TIME, AND PLACE THE BENCH BOARD ALREADY ATTACHED TO THE FIRST BENCH END, ON POSITION 1, BEING SURE TO ALIGN THE PRE-DRILLED HOLES TO THE PILOT HOLES IN THE BENCH END. AFTER THE HOLES ARE PROPERLY ALIGNED, FASTEN WITH (1) ONE #12 X 3" FLAT HEAD PHILLIPS SCREW IN THE TOP PRE-DRILLED HOLE. NOTE: DO NOT TIGHTEN SCREWS COMPLETELY. THIS WILL BE DONE IN A LATER STEP.

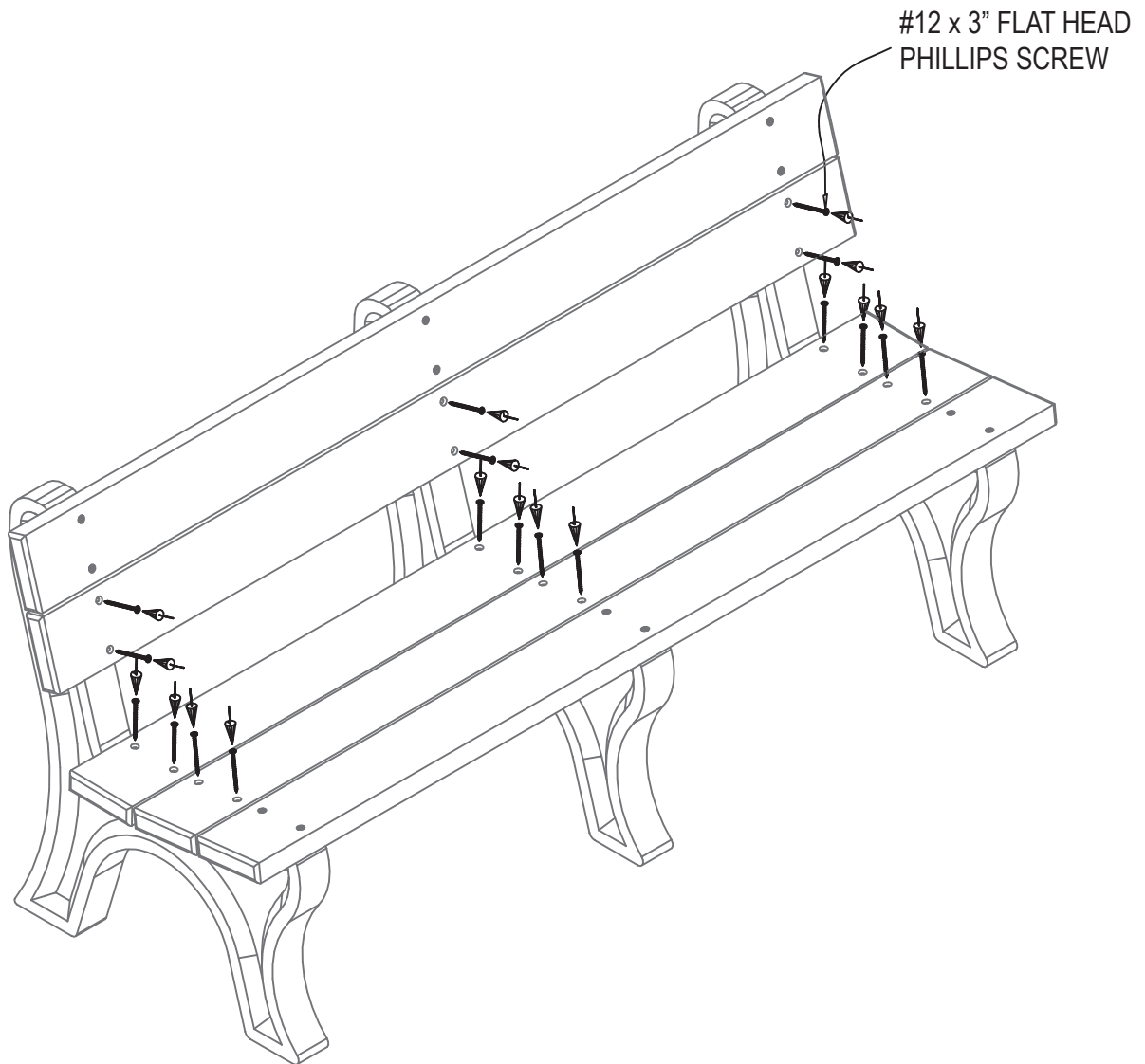
STEP #3:

ALIGN BOTTOM PRE-DRILLED HOLES TO THE PILOT HOLES IN THE BENCH END. AFTER THE HOLES ARE PROPERLY ALIGNED, FASTEN WITH (1) ONE #12 X 3" FLAT HEAD PHILLIPS SCREW PER HOLE. NOTE: BE SURE TO TIGHTEN SCREWS COMPLETELY SFTER THIS STEP.



STEP #4:

PLACE A SECOND BENCH BOARD ON POSITION 5. REPEAT STEPS 1 - 3 TO ATTACH. USE (1) ONE #12 X 3" FLAT HEAD PHILLIPS SCREW PER HOLE TO FASTEN.



STEP #5:
REPEAT STEPS 1 - 3 TO ATTACH BENCH BOARDS ON POSITIONS 2, 3, & 4. USE (1) ONE #12 X 3"
FLAT HEAD PHILLIPS SCREW PER HOLE TO FASTEN.