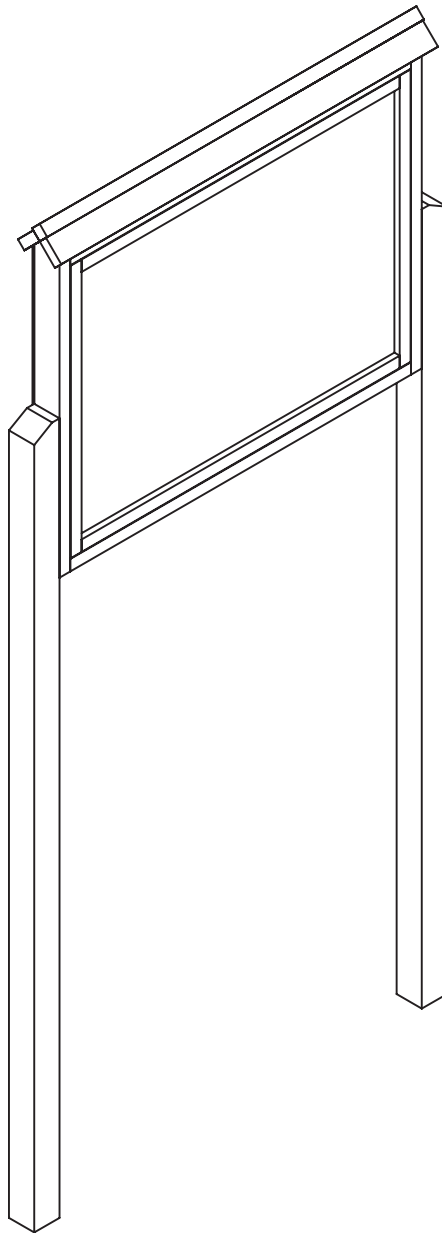


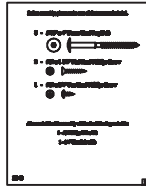
Model # MCP-M-DSDP

Instructions Sheet

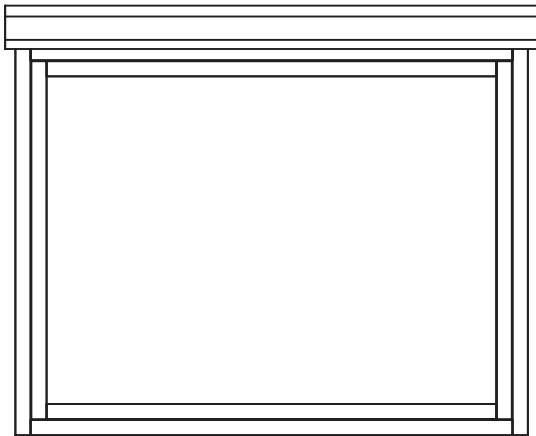
**MEDIUM OUTDOOR MESSAGE CENTER**



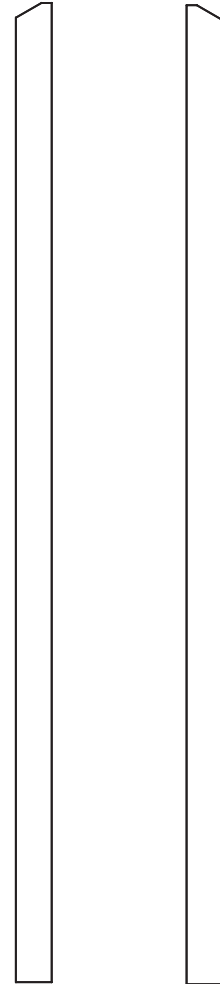
BEFORE ASSEMBLY, PLEASE MAKE SURE ALL COMPONENTS ARE INCLUDED.



FP - ONE FASTENER PACK  
(1) - ONE FASTENER PACK



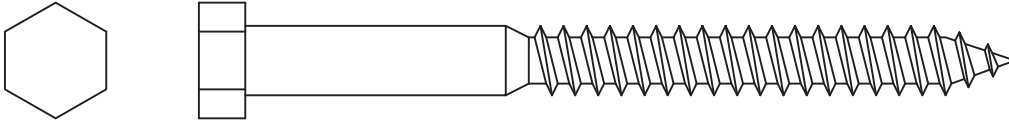
A - MESSAGE CENTER  
(1) - ONE MESSAGE CENTER



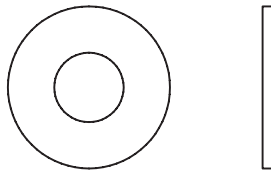
B - SIDE POST  
(2) - TWO SIDE POST

BEFORE ASSEMBLY, PLEASE MAKE SURE ALL FASTENERS ARE INCLUDED.

4 - 3/8" X 4" HEX HEAD LAG BOLT

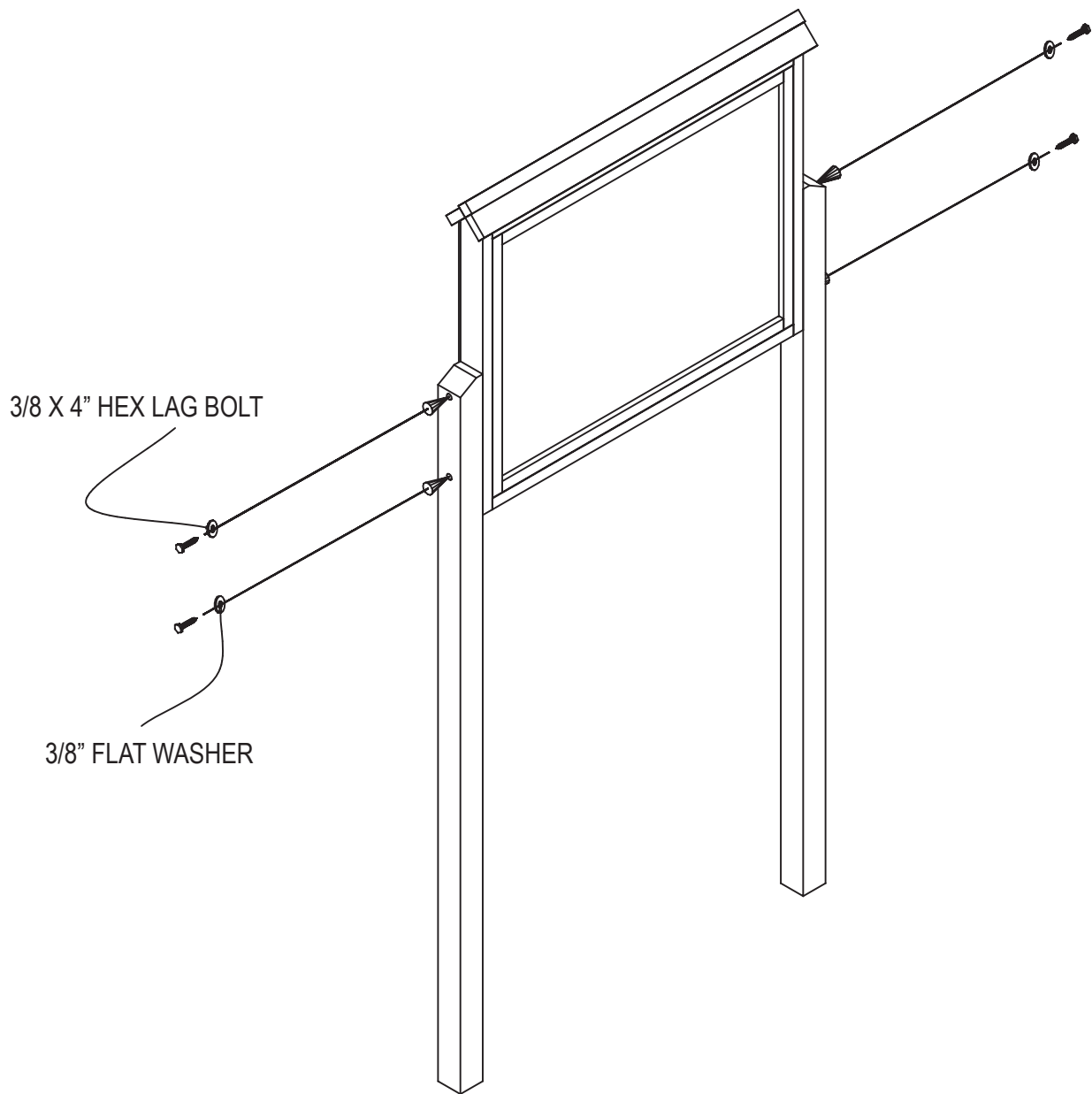


4 - 3/8" FLAT WASHER



ALSO NEED FOR THIS ASSEMBLY WILL BE THE FOLLOWING MATERIALS:

1 - 9/16" SOCKET WRENCH



ALIGN THE PRE-DRILLED HOLES IN THE POSTS WITH THE PILOT HOLES ON THE MESSAGE CENTER AND FASTEN THEM TOGETHER WITH ( 1 ) - ONE 3/8" FLAT WASHER & ( 1 ) - ONE 3/8" X 4" HEX LAG BOLT PER ALIGNED HOLE.