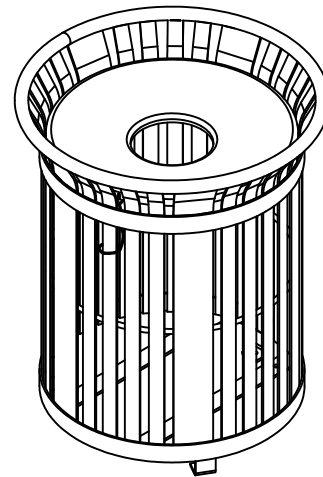


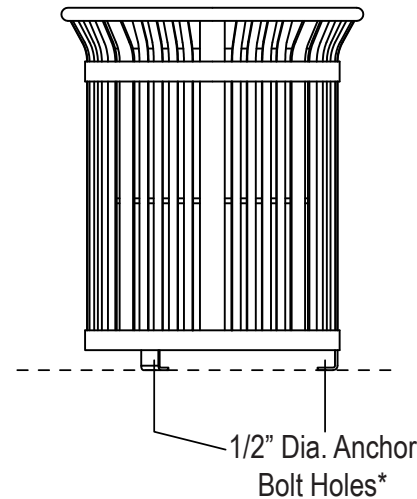
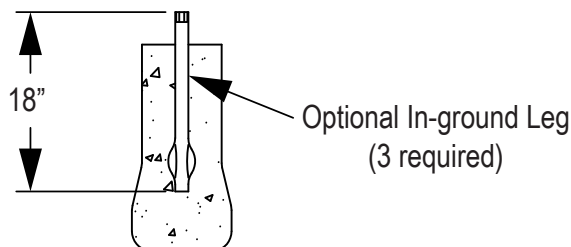
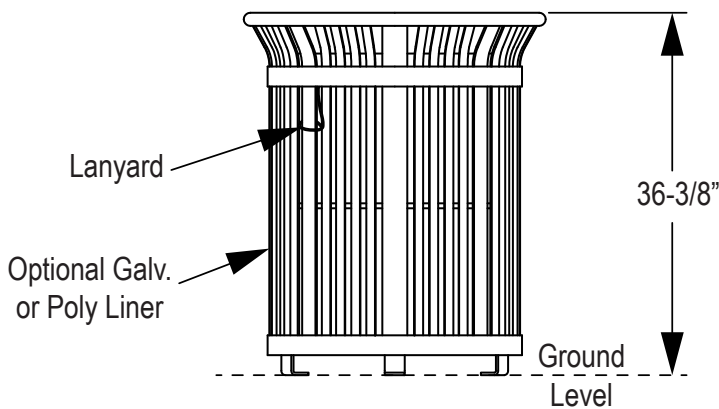
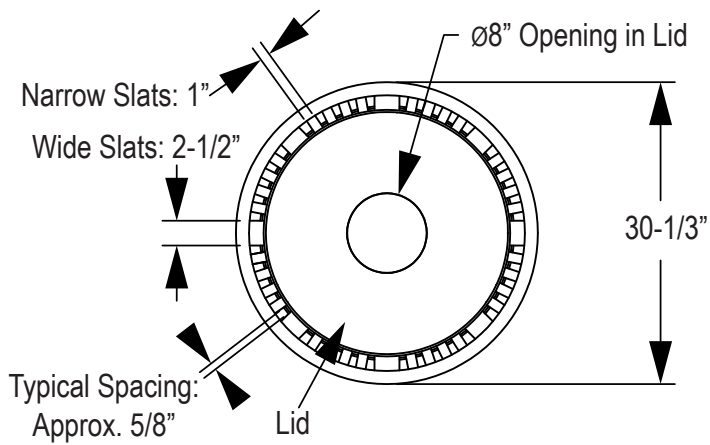
## POWDER-COATED STEEL TRASH RECEPTACLE

### MATERIAL SPECIFICATIONS:

- 11 Ga. Steel
- 3/16" x 2-1/2" Flat Bar
- 3/16" x 1" Flat Bar
- 1/2" O.D. Solid Rod
- 1.3125" O.D.x 0.083" Tubing
- 16 Ga. Galvanized Steel
- 1/4" x 2" Flat Bar



Litter Receptacle  
with Lid and Lanyard



\* Note: Surface mount anchoring hardware no included.