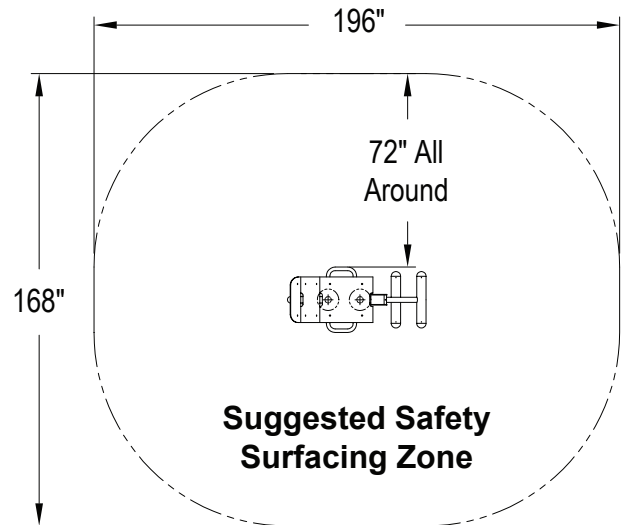
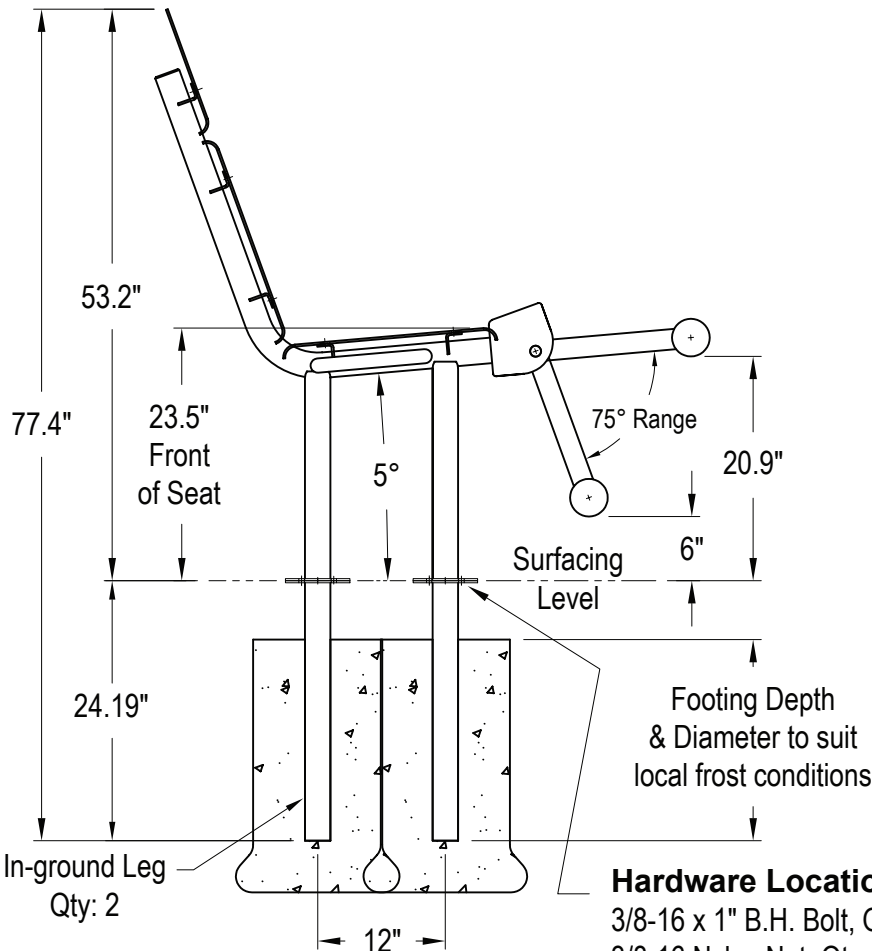
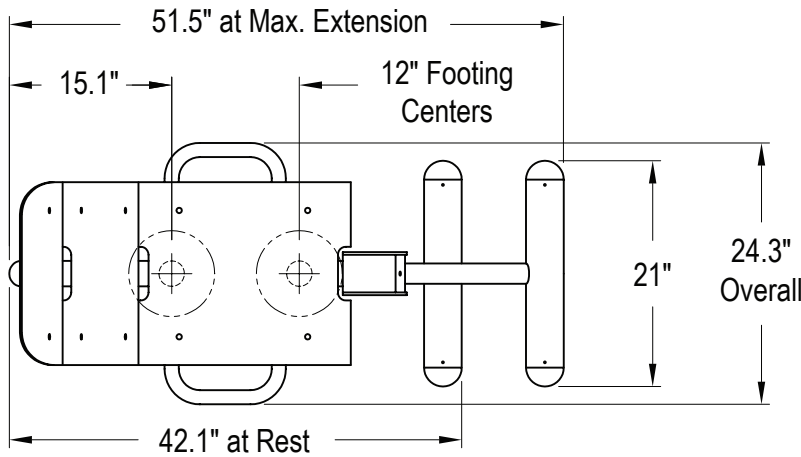


SINGLE LEG EXTENSION MACHINE



Note: Completely assemble unit prior to pouring concrete footings. Dimensions shown in inches.

PLEASE NOTE:
 Dimension Sheet shows both In-ground and Surface Mount Details.

Hardware Location:
 3/8-16 x 1" B.H. Bolt, Qty: 8
 3/8-16 Nyloc Nut, Qty: 8
 3/8 Flat Washer, Qty: 16