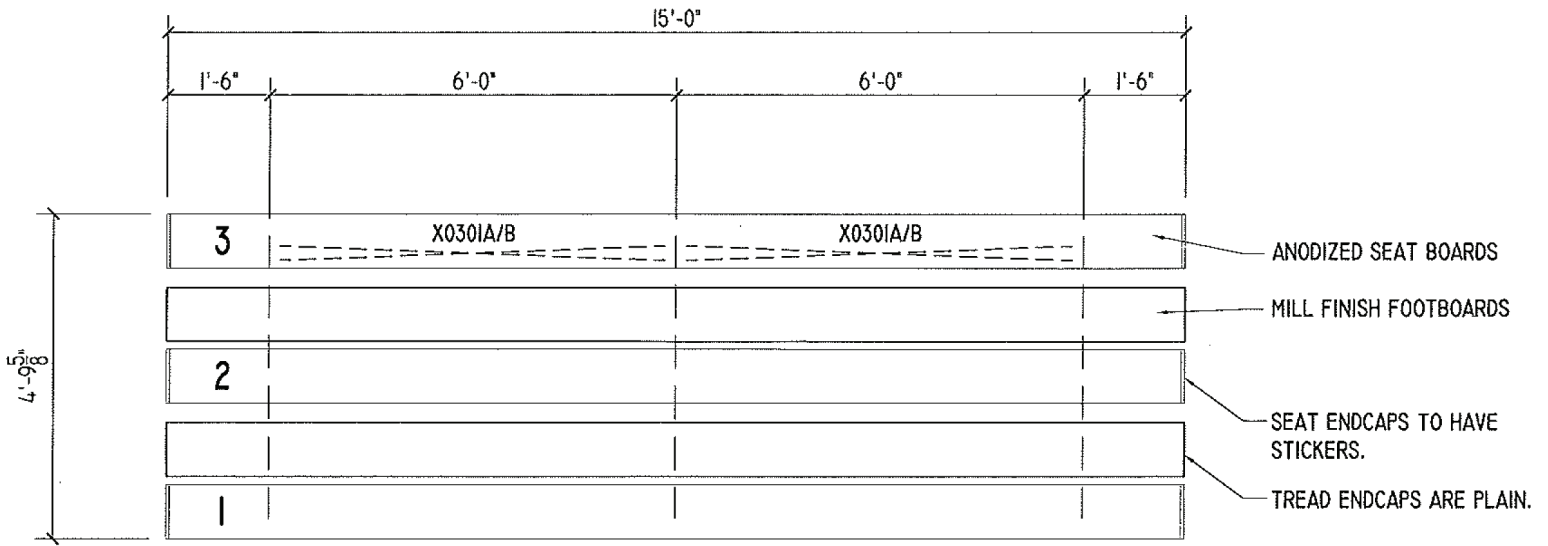
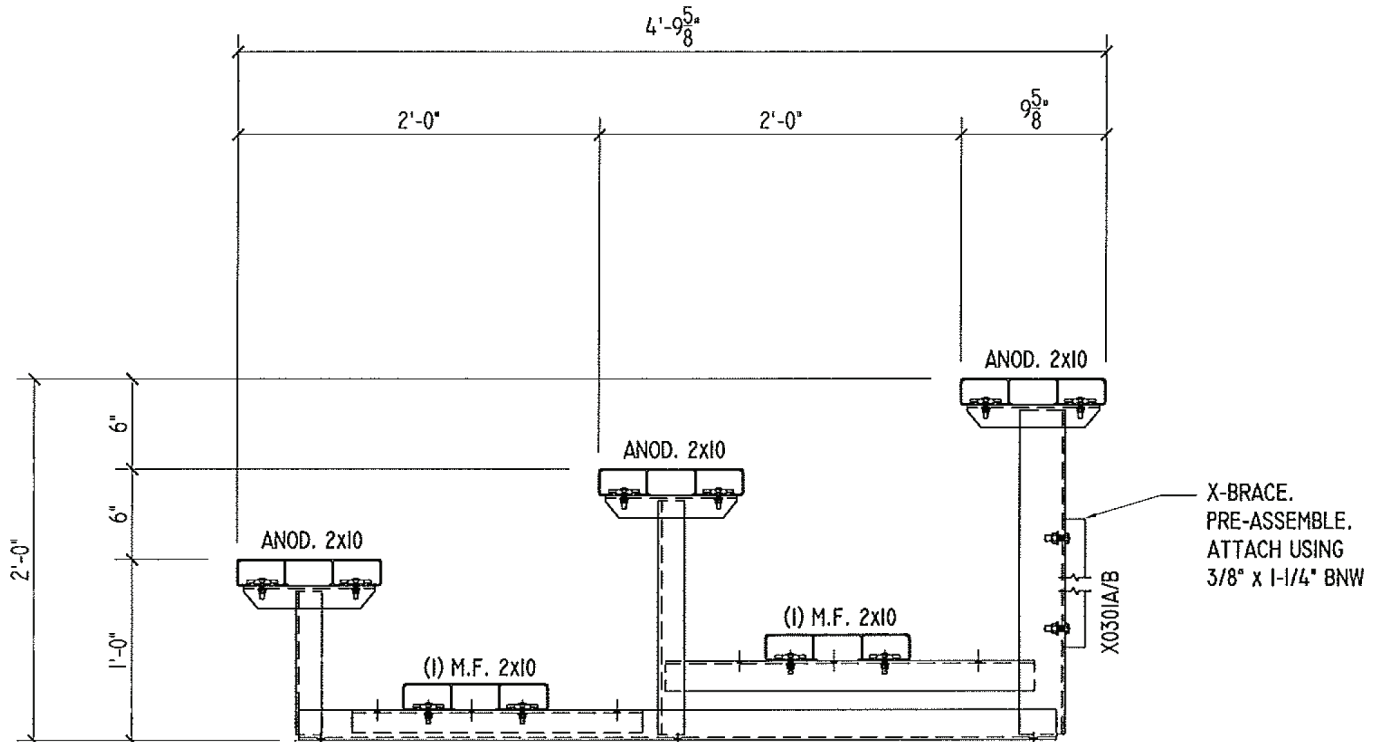


### 3 ROW 15' LENGTH BASIC BLEACHER WITH SINGLE FOOTBOARDS

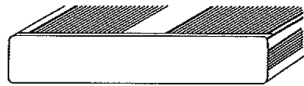
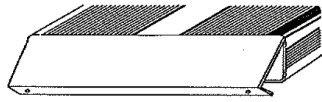


### SEATING PLAN

NET SEATS = 30



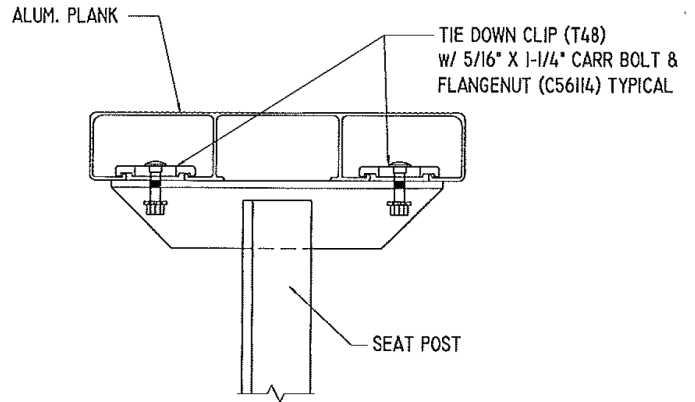
### TYPICAL SECTION THRU BLEACHER



END CAP

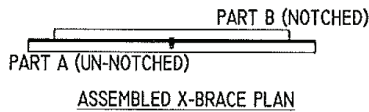
1. LOCATE THE CHANNEL END CAP AS SHOWN, WITH THE WIDER FLANGE ON BOTTOM.
2. TAP THE CHANNEL INTO PLACE WITH A RUBBER MALLET OR SOFT WOOD.
3. DRILL (2) No.8 x 3/4" TEK SCREWS THRU END CAP AND BOTTOM FLANGE OF PLANK
4. ENDCAPS WITH STICKERS ARE TO GO AT ENDS OF SEAT PLANKS, PLAIN ENDCAPS GO ON ALL OTHER BOARDS.

### ENDCAP INSTALLATION DETAIL

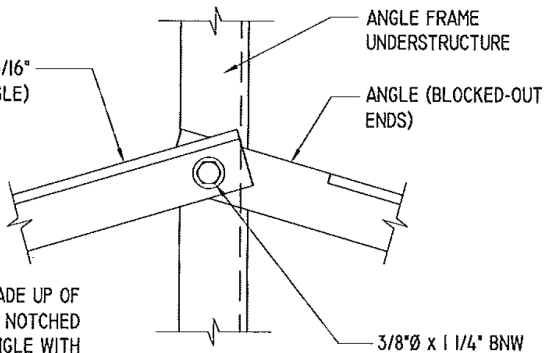


### SEAT PLANK INSTALLATION

PRE-ASSEMBLE X-BRACE SETS. EACH SET CONSISTS OF A 'PART A (UN-NOTCHED)' AND A 'PART B (NOTCHED)'. PLACE THE PIECES TOGETHER AT THE FLAT SIDES AND CONNECT USING A 3/8" x 1-1/4" B.N.W.

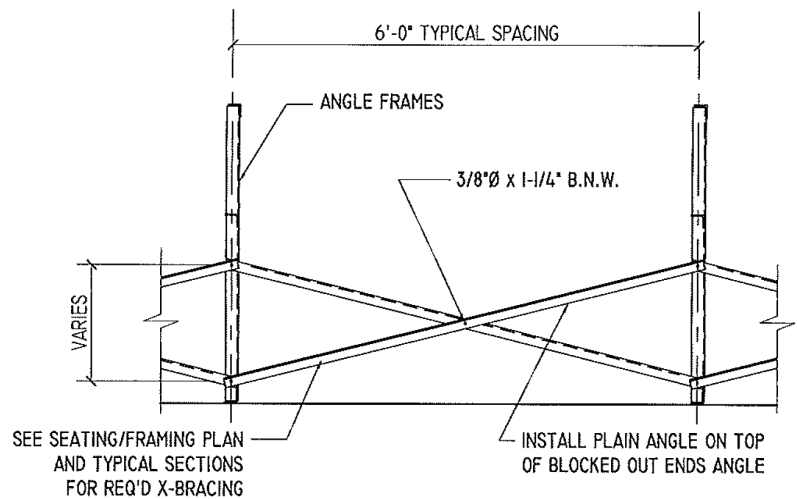


L 1 1/2" x 1 1/2" x 3/16" X-BRACING (PLAIN ANGLE)



X-BRACE ASSEMBLY IS MADE UP OF (1) PLAIN ANGLE AND (1) NOTCHED ANGLE. INSTALL ANGLE WITH NOTCHED OUT ENDS NEAREST TO FRAME.

### TYPICAL X-BRACE TO FRAME CONN.



### TYPICAL BRACING LAYOUT